

GLOBE VALVE

AL 10-530S

PN 160

Description

Globe valve with butt-welding ends in straight form. The valve is designed as an on/off valve, but can also be used to control the flow by applying a regulating disc. The valves are applicable for water, sea water, steam, oil and other non-aggressive fluids and gases with operating temperature from -10 °C up to +450 °C.

The valve can be installed in any position on the pipeline, depending on correct flow direction of medium, that should be in accordance with marking on the body.

Part / Material specification

Part	Material
Body	Steel P250GH
Bonnet	Steel P250GH
Stem	X30Cr13
Body seat	18-8 Cr-Ni
Disc seat	X30Cr13
Packing	Graphite



Operating pressure

Maximum operating pressure at medium temperature °C

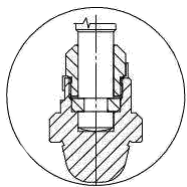
Nominal pressure PN	-10° - +100°C	+200°C	+250°C	+300°C	+350°C	+400°C	+425°C
160	160	130	112	96	90	80	72

Contact us for detailed information.

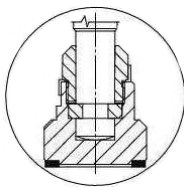
Dimensions

ND	D ₁	D ₂	L	H	h	D _K	Weight kg
15	17	24	160	195	12	120	3,8
20	22	28	160	195	12	120	3,6
25	27	34	160	255	14	160	7,5
32	35	43	180	270	18	200	8,5
40	41	49	210	270	18	200	12,5
50	52	60	250	335	30	250	20,0

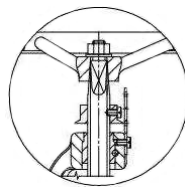
Optional



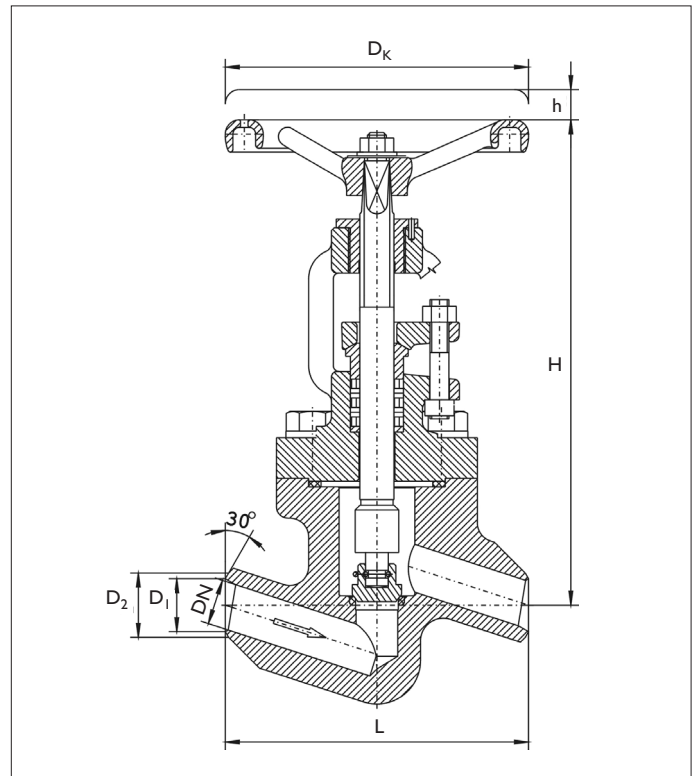
Regulating disc



Disc with PTFE sealing



Position indicator



AXEL LARSSON

Telephone +46 10 455 97 00 • sales@axel-larsson.se • www.axel-larsson.se

STOCKHOLM | GÖTEBORG | MOTALA | FALUN | UMEÅ

Head Office: Truckvägen 12, P.O. Box 805, SE-194 28 Upplands Väsby (Stockholm), Sweden.