

ANGEL SEAT VALVE

AL 11-7010

Description

AL 11-7010 is an seat angle valve with pneumatic actuator. Valve and actuator (piston) is compact and available in spring closing, spring opening and double acting function. All with spring-loaded stem packing box for long and reliable operation.

Applications: Shutdown of liquids, gases and vacuum. Suitable for compact installations, many operations and high frequency.

Type code: The valve is marked with type code, see type code key table.

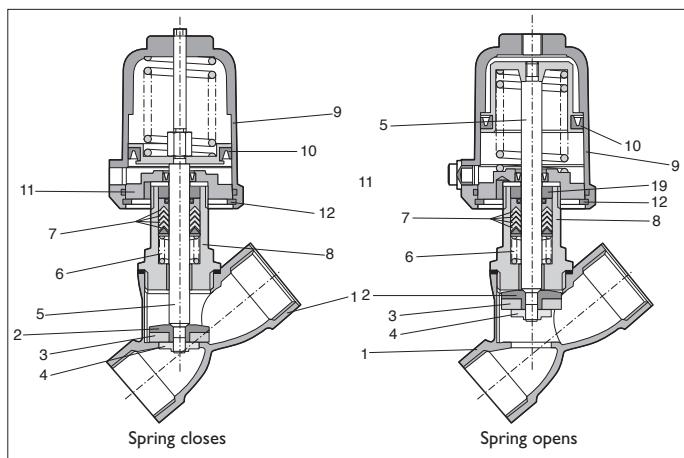
Temperature range: -30° – +60°C.

Type

AL 11-7010	DN 15-50	Bronze	16 bar	-30° - +170°C
AL 11-7010	DN 65-80	Brass	16 bar	-30° - +170°C
AL 11-7010	DN 15-80	Stainless steel	40 bar	-30° - +170°C

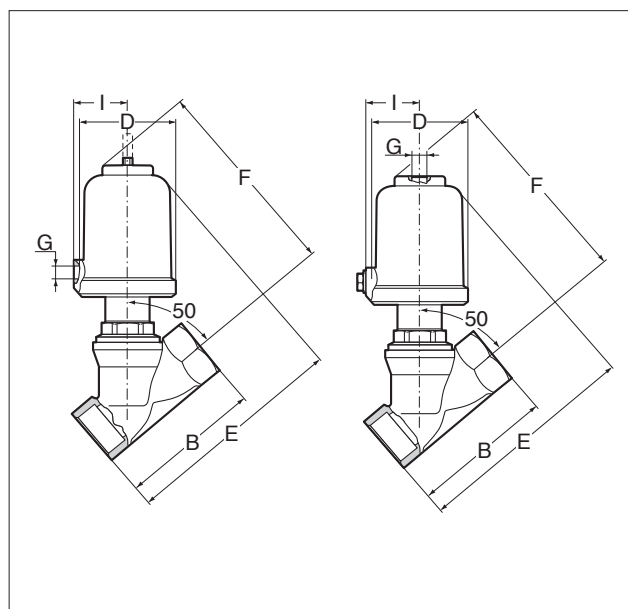
Material specification

Pos	Part	Bronze / Brass	Stainless steel
1	Valve	DN 15-50: Bronze CC491K DN 65-80: Brass CC754S	Stainless steel I.4408
2	Plug	Brass	Stainless steel
3	Seat	PTFE	PTFE
4	Nut globe	Brass	Stainless steel
5	Stem	Stainless steel	Stainless steel
6	Spring	Spring steel	Spring steel
7	V-seal	Graphite reinforced PTFE	Graphite reinforced PTFE
8	Head section	Brass	Stainless steel
9	Actuator	Brass cromated (Silumin for actuator Ø 125 mm)	Brass cromated (Silumin for actuator Ø 125 mm)
10	Piston seal	Nitrile	Nitrile
11	End	Brass	Brass
12	Locking	Spring steel nickel plated	Spring steel nickel plated



Dimensions

DN	Actuator diam.	B	D	E	F	G	I	Kvs		Weight kg
								Bronze / Stainless	Brass	
15	50	65	62	135	120	G 1/8"	34,5	3,5	-	1,1
20	50	75	62	135	125	G 1/8"	34,5	8	-	1,2
25	50	90	62	145	130	G 1/8"	34,5	15	-	1,4
25	80	90	96	185	170	G 1/4"	55,0	16	-	3,0
32	50	110	62	160	145	G 1/8"	34,5	21	-	1,8
32	80	110	96	200	190	G 1/4"	55,0	24	-	3,3
32	125	110	146	230	215	G 1/4"	80,0	24	-	5,5
40	50	120	62	165	150	G 1/8"	34,5	30	-	2,1
40	80	120	96	205	195	G 1/4"	55,0	35	-	3,6
40	125	120	146	235	220	G 1/4"	80,0	35	-	5,8
50	50	150	62	185	160	G 1/8"	34,5	40	-	2,7
50	80	150	96	225	200	G 1/4"	55,0	55	-	4,2
50	125	150	146	250	225	G 1/4"	80,0	55	-	6,4
65	80	180	96	260	210	G 1/4"	55,0	80	93	6,2
65	125	180	146	285	240	G 1/4"	80,0	80	93	8,4
80	80	210	96	280	225	G 1/4"	55,0	-	115	8,3
80	125	210	146	305	250	G 1/4"	80,0	-	115	10,5



ANGEL SEAT VALVE

AL 11-7010

Pressure

Supply air 6 bar.

Normally closed - Spring closes against the flow.

Recommended for liquid media to avoid pressure shock.

DN	Kolv	Fjädrar	P max
15	50	1	22
20	50	1	7
	50	3	16
25	50	2	5,8
	80	1	16
	50	3	5,2
32	80	1	12
	125	2	23
40	50	3	3,3
	80	1	7
40	125	2	15
	80	3	7,5
50	125	2	12,5
	80	3	2,5*) / 4
65	125	3	5*) / 7
	80	3	3,5*)

* Refers to body in brass

Normally open - Spring closes with flow

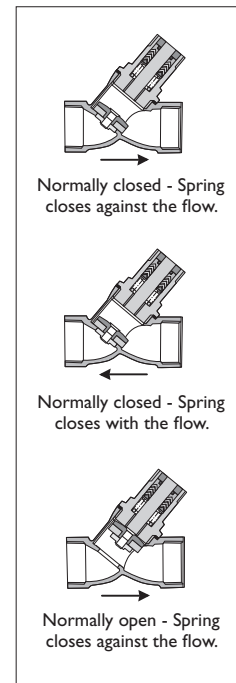
Recommended for gaseous media. Liquid with high velocity can get water hammer effects when closing.

DN	Kolv	P max *
15	50	40
20	50	37
25	50	20
	80	33
	50	11
32	80	35
	125	35
40	50	7
	80	23
	125	23
	50	5
50	80	14
	125	15
65	80	8
	125	12
80	80	6
	125	9

Normally open - Spring closes against the flow.

For gaseous and liquid media

DN	Kolv	P max *
15	50	40
20	50	22
25	50	11
	80	33
	50	7
32	80	33
	125	35
40	50	4
	80	22
	125	23
50	80	13
	125	15
65	80	7
	125	12
80	80	4,5
	125	9



Code key / Option

Valve	Type	DN	1	2	3	4	5	6	7	8	9	10	11	12
AL 11	7010	/				V								S

1 - Valve type		2 - Connection			3 - Body material		4 - Seat			5 - Control function			6 - Actuator		
1.	Angel seat valve	0	Thread BSPP	0	Brass (DN 65-80)	0	PTFE	0	Normally closed (closes with flow)	0	Piston Ø 50 mm				
		5	Thread NPT	1	Bronze Rg5 (DN 15-50)	1	Viton	1	Normally open (closes against flow)	1	Piston Ø 80 mm				
		6	Without thread	2	Stainless steel 1.4408 (DN 15-65)	2	EPDM	2	Normally closed (closes against flow)	2	Piston Ø 125 mm				
		H	Welding end ISO			3	Nitrile	3	Universal, double acting	K	Plastic bonnet ø 50 mm				
		D	Welding end DIN							M	Plastic bonnet ø 80 mm				
		Z	Tri-Clamp												

7 - Springs		8 - Head section		9 - Packing		10 - Temperature version		11 - Accessories					12 - Special versions		
-	Standard	-	Standard	-	Standard	-	Standard	-	no accessories					S	special versions
1	1 spring			2	Packing downwards	H	High temperature version	1	electrical position indicator with single switch electrical position					M	position indicator with cable bushing
2	2 springs					V	Viton exterior lip sealing	2	indicator with double switches					N	position indicator with plug connection
3	3 springs							3	manual override (normally open)						
								4	manual override (normally closed)						
								5	stroke limitation (normally open)						
								6	pilot valve DN 2, 230V AC						
								7	pilot valve DN 2, 24V DC						
								K	single mechanical switch compact						
								M	double proximity switch 10 - 36V DC (PNP)						
								P	single proximity switch 10 - 36V DC (PNP)						
								T	single proximity switch compact 10 - 30V DC						

Installation

The valve can be installed in the horizontal and vertical pipes. For removal of valve actuator/cylinder, see separate manual.



Telephone +46 10 455 97 00 • sales@axel-larsson.se • www.axel-larsson.se

STOCKHOLM | GÖTEBORG | MOTALA | KARLSTAD | FALUN | SKELLEFTÅ

Head Office: Truckvägen 12, P.O. Box 805, SE-194 28 Upplands Väsby (Stockholm), Sweden.