

GEAR

Type AL 761-3D / AL 761-XJ

Description

Type AL 761-3D / AL 761-XJ is a gear in cast iron, designed for actuating shut-off valves. The gear is epoxy coated. It is designed for easy mounting of position indication via a mounting plate made of stainless steel.

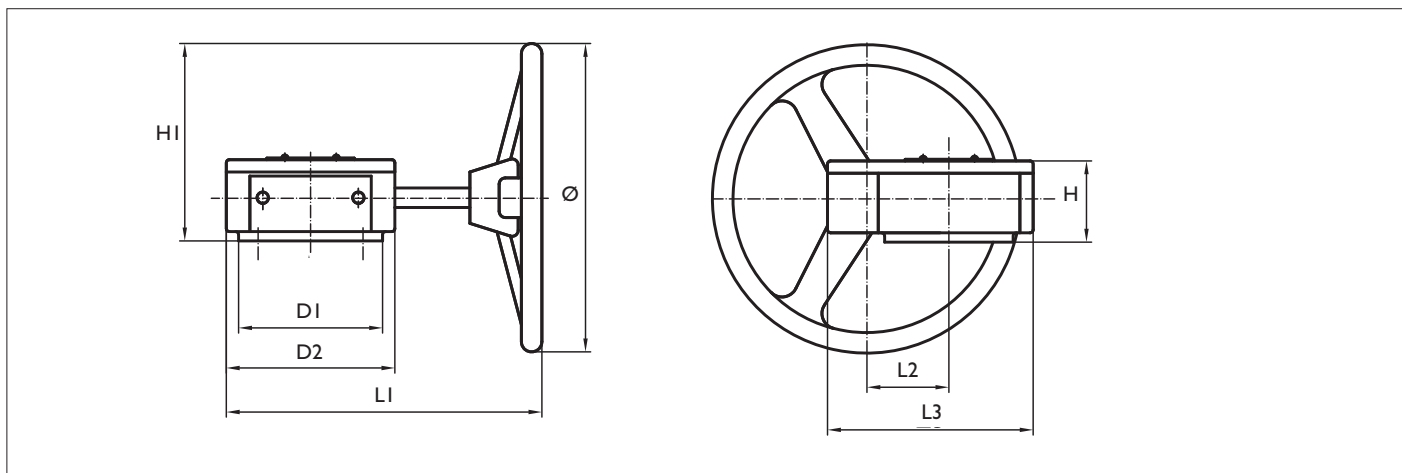
Marking: The gear is marked 3D / XJ.

Temperature

Temperature range for continuous operation -20°C - +80°C.

Material specification

Part	Material
Body	Cast iron
Cover	Stainless steel SS 304
Worm gear	Ductile iron
Shaft	Stainless steel SS 304
Handwheel	Cast iron



Dimensions

Type	ISO 5211	Square	Nm	D1	D2	Ø	H	H1	L1	L2	L3
AL 761-3D-20	F05-F07	11	200	65	108	145	65	113	212	45	129
AL 761-3D-20	F05-F07	14	200	90	108	145	65	113	212	45	129
AL 761-3D-50	F07-F10	17	500	125	146	285	70	182	305	62	171
AL 761-3D-50	F07-F10	22	500	125	146	285	70	182	305	62	171
AL 761-3D-120	F10	22	1200	140	165	285	77	182	300	85	198
AL 761-3D-120	F12	27	1200	140	165	285	77	182	300	85	198
AL 761-XJ80	F12	27	2500	197	247	397	105	254	426	120	280
AL 761-XJ80	F14	36	2500	197	247	397	105	254	426	120	280
AL 761-XJ300	F14	36	4000	197	257	397	148	270	493	121,5	316
AL 761-XJ300	F16	46	4000	197	257	397	148	270	493	121,5	316

AXEL LARSSON 

Telephone +46 10 455 97 00 • sales@axel-larsson.se • www.axel-larsson.se

STOCKHOLM | GÖTEBORG | MOTALA | KARLSTAD | FALUN | SKELLEFTÅ

Head Office: Truckvägen 12, P.O. Box 805, SE-194 28 Upplands Väsby (Stockholm), Sweden.