

BALL VALVE

AL 27-PZ

Full bore
ANSI

Description

AL 27-PZ is a series of flanged full bore ball valves according to ANSI standard and with a mounting plate according to ISO 5211. Suitable as shut-off valve for liquids, gases and neutral chemicals.

- Floating ball
- Split body
- Full bore
- Soft seat
- Bidirectional
- Anti Blow out proof stem
- Autoadjustable packing
- Anti static device
- Self-cavity pressure relief

- Pressure class:**
- Class 150 - AL 27-PZ-TTT
 - Class 300 - AL 27-PZ-SSS
 - Class 600 - AL 27-PZ-SSS

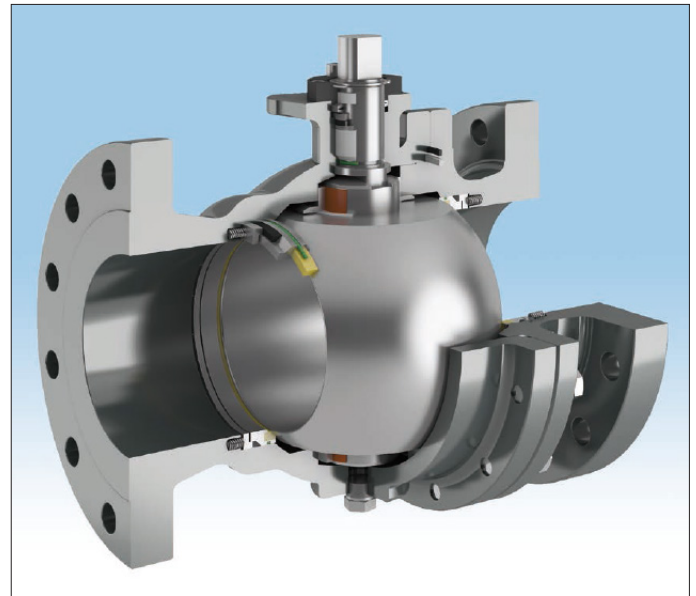
- Body material:**
- Stainless steel A351CF8M I.4408
 - Carbon steel A216 WCC I.0619
 - Carbon steel LCC I.0619QT

Standards

- Top flange ISO 5211
- Flanges ANSI B16.5
- Face to face ANSI B16.10
- Testing API 598, API 6D, BS 6755-1
- Design API 6D, B16.34
- Materials according to NACE MR0175

Approvals

- FIRE SAFE certificate
- TA-LUFT VDI 2440
- ISO 15848-1
- API 6D
- ATEX 2014/34/EU
- CE/PED 2014/68/EU
- SIL 3 capable
- EN 161/EN ISO 23553-1



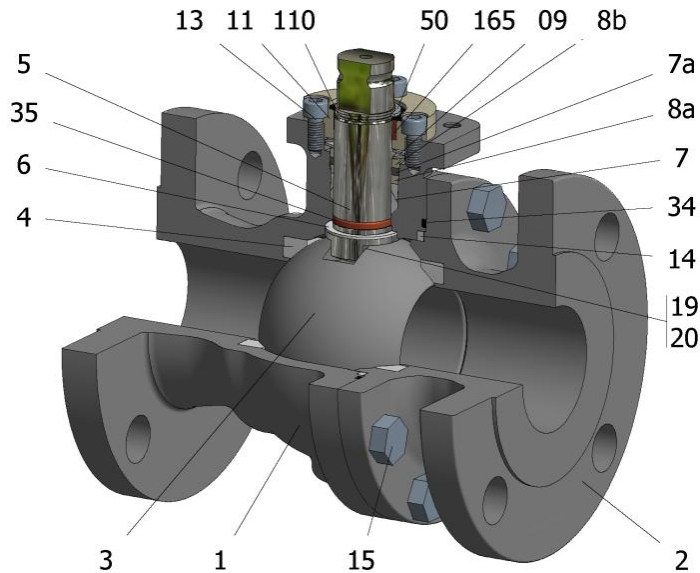
BALL VALVE

AL 27-PZ

Full bore

ANSI

Material specification



No	Part	Carbon steel A216 WCC (1.0619) / Carbon steel A352 LCC *			Stainless steel A351 CF8M (1.4408)		
		Class 150 (code TTT)	Class 300 (code SSS)	Class 600 (code SSS)	Class 150 (code TTT)	Class 300 (code SSS)	Class 600 (code SSS)
1	Body 1	A216 WCC alt. A352 LCC			A351 CF8M		
2	Body 2	A216 WCC alt. A352 LCC			A351 CF8M		
3	Ball	SS A351 CF8M			SS A351 CF8M		
4	Seat	PTFE (modified)	PTFE (modified) + CG		PTFE (modified)	PTFE (modified) + CG	
5	Stem	SS AISI 316		XM-19	SS AISI 316		XM-19
6	Stem seal	PTFE (modified) + FG	PTFE (modified) + CG		PTFE (modified) + FG	PTFE (modified) + CG	
7	Stem packing	PTFE (modified)	PTFE (modified) + CG		PTFE (modified)	PTFE (modified) + CG	
7a	Stem packing 2	Graphite			Graphite		
8a	Gland packing 1	SS AISI 316			SS AISI 316		
8b	Gland packing 2	SS AISI 316			SS AISI 316		
9	Spring washer	SS AISI 301			SS AISI 301		
11	Cover	SS A351 CF8M (SS AISI 316 for body A352 LCC)			SS A351 CF8M		SS AISI 316
13	Cover bolt	SS (316)			SS (316)		
14	Body seal 1	PTFE (modified)	PTFE (modified) + CG		PTFE (modified)	PTFE (modified) + CG	
15	Body bolt	A193 B7M			A193 B8M		
16	Handle	WCB			WCB		
17	Handle bolt	1.045 (8.8)			1.045 (8.8)		
19	Spring	SS AISI 316			SS AISI 316		
20	Antistatic ball	SS AISI 316			SS AISI 316		
34	Body seal 2	Graphite			Graphite		
35	O ring stem	FKM			FKM		
50	Subjection ring	SS AISI 420			SS AISI 420	SS AISI 304	
110	Subjection ring seal	SS AISI 316 nitrided			SS AISI 316 nitrided		
165	Stem bearing	PTFE (modified) + FG			PTFE (modified) + FG	PTFE (modified) + FG	

* Carbon steel A352 LCC class 600 available on request.

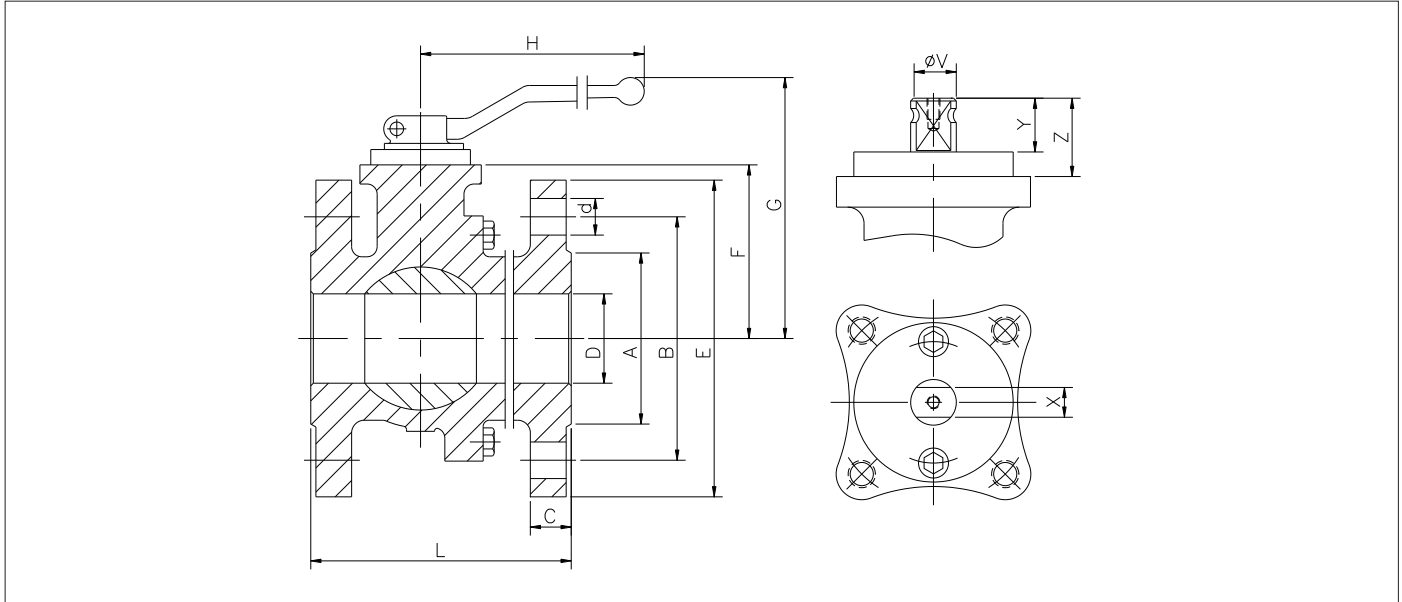
BALL VALVE

AL 27-PZ

Full bore

ANSI

Dimensions



Class 150

DN	D	L	E	A	B	C	F	H	G	V	X	Y	Z	n x d	ISO 5211	Nm	Weight kg
15	15	108	90	35	60	11	45	185	106	14	11	11	13,5	4 x 16	F05	9	2
20	20	117	100	43	70	12	47	185	108	14	11	11	13,5	4 x 16	F05	11	3
25	25	127	110	51	79	14	52	185	113	18	14	17	19,5	4 x 16	F05	16	4
32	32	140	115	64	89	15	57	185	118	18	14	17	19,5	4 x 16	F05	23	6
40	40	165	125	73	98	16	75	293	145	22	17	20	30	4 x 16	F07	32	7
50	50	178	150	92	121	17	83	293	153	22	17	20	30	4 x 19	F07	48	10
65	65	190	180	105	140	19	96	293	166	22	17	20	30	4 x 19	F07	62	17
80	80	203	190	127	152	21	113	450	199	28	22	22	40	4 x 19	F10	103	22
100	100	229	230	157	191	25	128	450	221	28	22	22	40	8 x 19	F10	145	32
150	150	394	280	216	241	27	176	740	285	36	27	35	50	8 x 22	F12	400	81
200	201	457	345	270	299	30	245	750	354	48	36	40	63	8 x 22	F14	720	143

Class 300

DN	D	L	E	A	B	C	F	H	G	V	X	Y	Z	n x d	ISO 5211	Nm	Weight kg
15	15	140	95	35	67	14	51	185	106	14	11	11	13,5	4 x 16	F05	17	3
20	20	152	115	43	83	16	53	185	108	14	11	11	13,5	4 x 19	F05	19	4
25	25	165	125	51	89	18	59	185	113	18	14	17	19,5	4 x 19	F05	23	5
40	40	190	155	73	114	22	75	293	145	22	17	20	30	4 x 22	F07	50	10
50	50	216	165	92	127	24	83	293	153	22	17	20	30	8 x 19	F07	84	12
65	65	241	190	105	149	26	96	293	166	22	17	20	30	8 x 22	F07	108	19
80	80	282	210	127	168	30	113	450	199	28	22	22	40	8 x 22	F10	180	27
100	100	305	255	157	200	33	128	450	221	28	22	22	40	8 x 22	F10	259	44

Class 600

DN	D	L	E	A	B	C	F	H	G	V	X	Y	Z	n x d	ISO 5211	Nm	Weight kg
15	15	165	95	35	67	22	45	185	108	14	11	11	13,5	4 x 16	F05	19	8
20	20	190	115	43	83	24	47	185	110	14	11	11	13,5	4 x 19	F05	22	8
25	25	216	125	51	89	25	53	185	116	18	14	17	19,5	4 x 19	F05	48	9
40	40	241	155	73	114	30	76	293	148	22	17	20	30	4 x 22	F07	108	14
50	50	292	165	92	127	32	84	293	156	22	17	20	30	8 x 19	F07	187	19

*Torque (Nm) at room temperature and maximum pressure for the respective pressure class (without any safety factor)

BALL VALVE

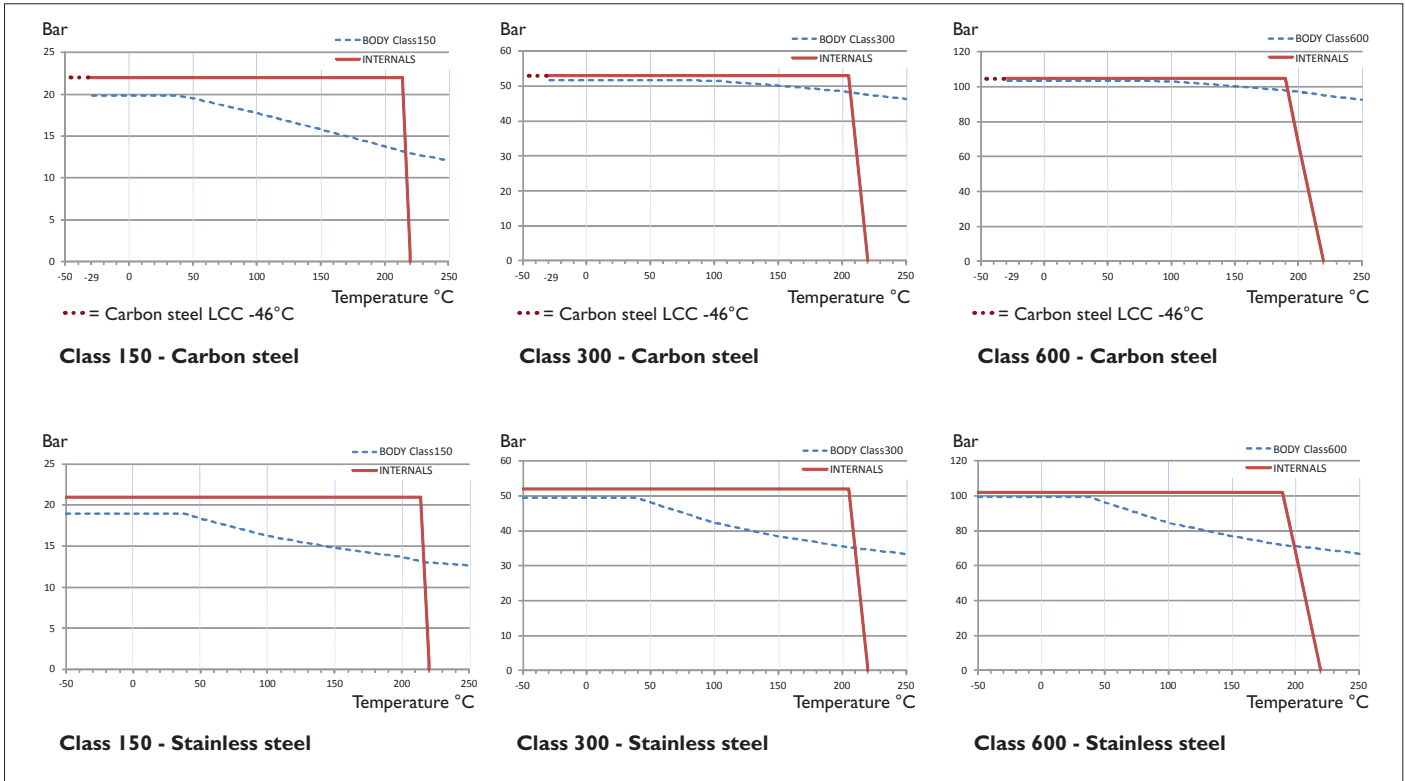
AL 27-PZ

Full bore
ANSI

Pressure / Temperature

Class 150 - Seat in PTFE (TTT version).

Class 300/600 - Seat in PTFE + carbon graphite (SSS version)



Kv value (m³/h)

DN	1/2"	3/4"	1"	1 1/2"	2"	2 1/2"	3"	4"	6"	8"
Full bore	20	44	88	200	310	480	960	1700	4100	8200

Options

Also available in higher ratings and dimensions as full trunnion type. Please contact Axel Larsson for further information.

Ordering key

Ordering example: AL 27-PZ I4TTTGV - DN 80

TTT standard = Class 150 SSS standard = Class 300 / Class 600

I - Class	II - Body/Ball	III - Seats	IV - Packing	V - Primary body seal	VI - Secondary body seal	VII - O ring stem
1 = ANSI 150 3 = ANSI 300 6 = ANSI 600	4 = WCC/CF8M 1.0619/1.4408 6 = CF8M/CF8M 1.4408/1.4408 Optional 9 = LCC/CF8M 1.0619QT/1.4408	Standard T = PTFE S = PTFE + Carbon graphite Optional R = PTFE + Fibreglass	Standard T = PTFE S = PTFE + Carbon graphite Optional R = PTFE + Fibreglass G = Graphite U = UHMWPE	Standard T = PTFE S = PTFE + Carbon graphite Optional R = PTFE + Fibreglass G = Graphite U = UHMWPE	Standard G = Graphite Optional T = PTFE V = Viton (FKM)	V = Viton GL7 (FKM)



Telephone +46 10 455 97 00 • sales@axel-larsson.se • www.axel-larsson.se

STOCKHOLM | GÖTEBORG | MOTALA | FALUN | UMEÅ

Head Office: Truckvägen 12, P.O. Box 805, SE-194 28 Upplands Väsby (Stockholm), Sweden.