

CHECK VALVE

AL 51-41 / AL 51-54

Lasso Stop Silent

Diaphragm design

Description

Diaphragm check valve for mounting in tube fittings (type AL 51-41) or clamping between flanges (type AL 51-54). The valve consists of a metal cone in stainless steel and a rubber diaphragm in EPDM, Nitrile or Silicone. Due to the simplicity of its construction the valve is very reliable and provides a soft closure and low resistance to flow. The valve can be mounted in any position.

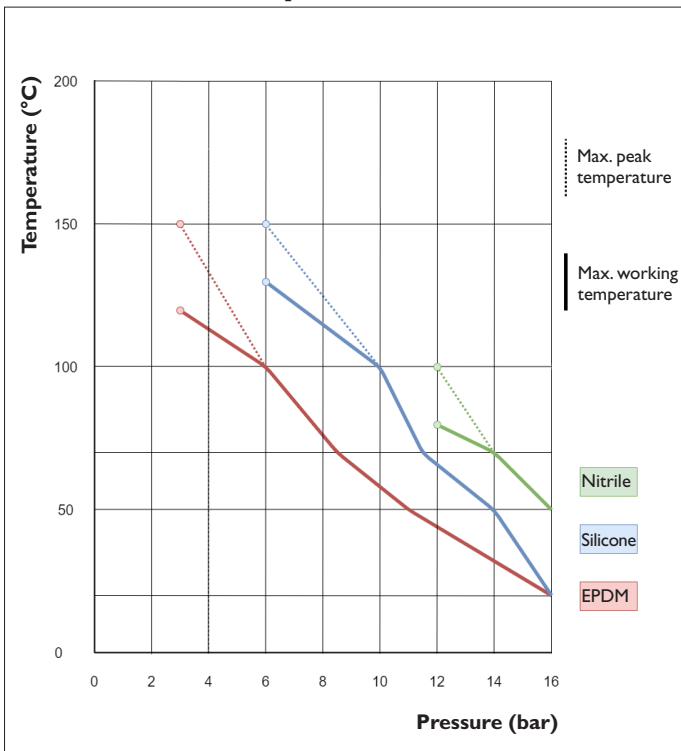
- Pressure:** 16 bar
- Temperature:** -10°C - +180°C
- Flow rate:** Fluids up to 2,5 m/sec.
Gases up to 15 m/sec.
- Media:** Non hazardous liquids and gases
- Dimension:** DN 25-200
- Material body:** Stainless steel 1.4404

Pressure / Temperature / Material

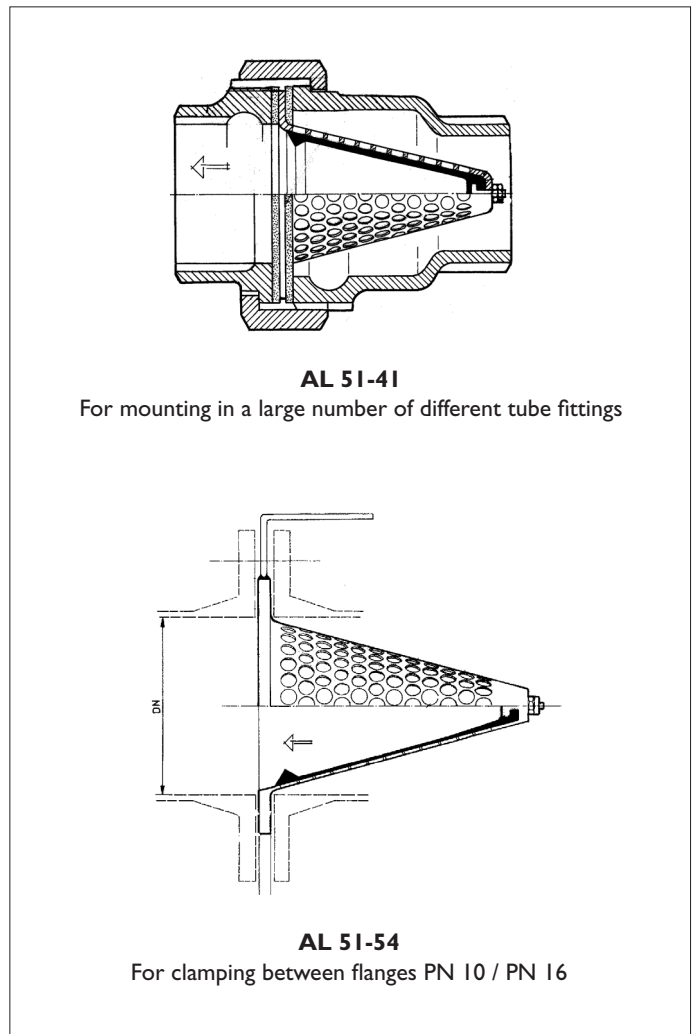
Permitted differential pressure over the valve: 16 bar

Diaphragm material	Constant working temperature	Maximum peak temperature
EPDM	120°C	150°C
Nitrile	80°C	100°C
Silicone	130°C	150°C

Pressure / Temperature



Mounting



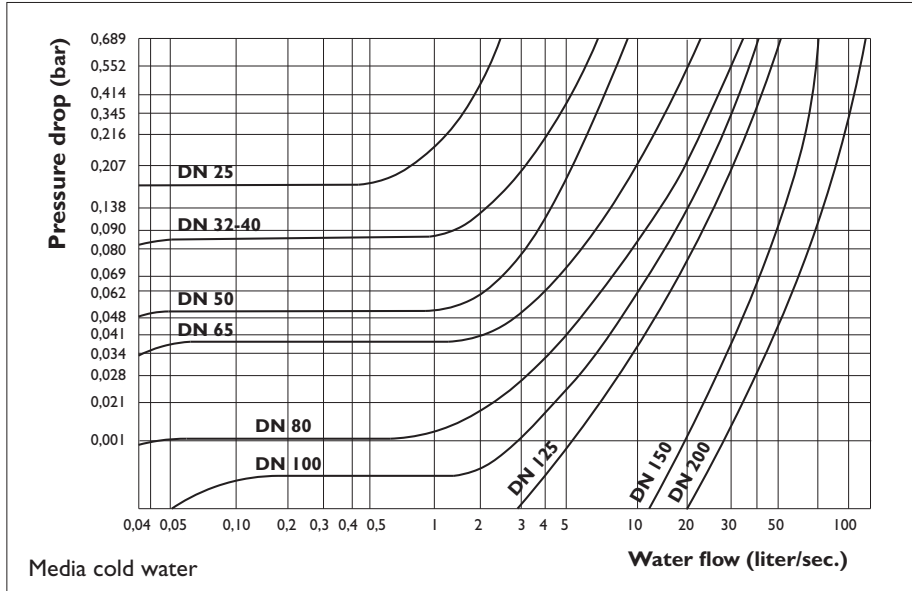
CHECK VALVE

AL 51-41 / AL 51-54

Lasso Stop Silent

Diaphragm design

Capacity



Dimensions

DN	AL 51-41 DF	AL 51-54 DF	Thickness EF	Height cone HK	Weight kg
25	36	-	2	45	0,02
32	54	-	2	50	0,04
40	56	82	2	60	0,09
50	65	102	2	80	0,14
65	84	118	2	100	0,18
80	98	132	4	130	0,44
100	130	158	4	170	0,66
125	160	188	6	220	1,17
150	192	210	6	270	1,55
200	244	268	6	365	2,78

