

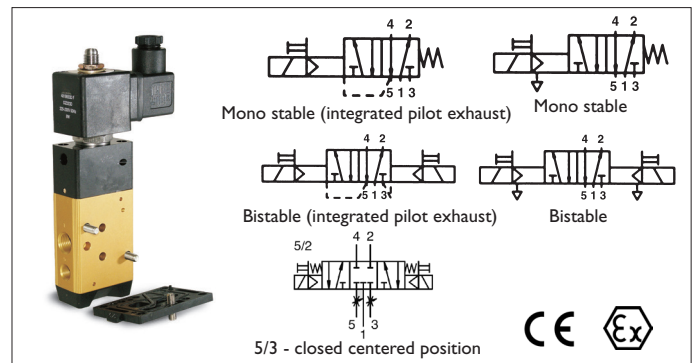
SOLENOID VALVE

Lucifer 341-347 N

3/2, 5/2 NAMUR

For actuator control

- Applications:** Pneumatic valve for actuator control.
- Module system:** Choose valve and desired coil within the same coil group, see leaflet for the coil. Table below refers to standard coil.
- Function:** 5/2, 3/2 pilot operated
- Valve body:** Aluminium
- Ambiente temp:** See information for choosen coil, see separate leaflet.
- Protection class:** IP 10 - IP 67 depending on coil.
- Optional:** Ex-version for coil group 1.1, t.ex. 482606 Ex mb IIC T4
Ex-version for coil group 2.1, t.ex. 495905 Ex db mb IIC T4
Ex-version for coil group 8.0, t.ex. 495910 Ex ia IIC T4.
DIN with LED / moulded cable.
Speed restrictor with silencer.



Ordering example: 341N01 - 488980 - 230/50 (ventil - spole - spänning)

5/2 - Mono stable

Port size (G")	Orifice (mm)	Flow factor (l/min)	Pressure drop Δp (bar)			Media temperature		Seat	Valve	Housing	Coil	Power (W)		Coil group	Fig
			Min	Max		Min °C	Max °C					AC	DC		
				AC	DC										
1/4 (1/8)	4	600	2	10	10	-25	+80	NBR	341N01	DIN	488980	2	2,5	1.1	A
		600	2	10	10	-25	+80	NBR	341N11	DIN	488980	2	2,5	1.1	B
		600	2	10	10	-25	+80	NBR	341N21	DIN	481865	8	9	2.1	C
		600	2	10	10	-25	+80	NBR	341N31	DIN	481865	8	9	2.1	D
		600	2	10	10	-25	+80	NBR	341N3102*	DIN	481865	8	9	2.1	
		600	2	10	10	-40	+65	PUR	341N3108	DIN	481865	8	9	2.1	
		600	2	10	10	-40	+65	NBR	341N3128*	DIN	481865	8	9	2.1	
		600	2	-	10	-25	+80	NBR	341N3196*	DIN	482740	-	1,6	6.0 / 8.0	
		600	2	-	10	-25	+80	NBR	341N3197	DIN	482740	-	1,6	6.0 / 8.0	E
		600	2	-	10	-10	+75	NBR	341N3190*	DIN	483580.01	-	0,5	7.0	
1400	2	10	10	-25	+80	NBR	341N02	DIN	488980	2	2,5	1.1	F		
1/4	8	1400	2	10	10	-25	+80	NBR	341N22	DIN	481865	8	9	2.1	G
		1400	2	10	10	-25	+80	NBR	341N32	DIN	481865	8	9	2.1	H
		1400	2	10	10	-25	+80	NBR	341N3202*	DIN	481865	8	9	2.1	
		1400	2	-	10	-25	+80	NBR	341N3296*	DIN	482740	-	1,6	6.0 / 8.0	
		1400	2	-	10	-25	+80	NBR	341N3297	DIN	482740	-	1,6	6.0 / 8.0	
		1400	2	-	10	-25	+75	NBR	341N3290*	DIN	483580.01	-	0,5	7.0	

*Valve without manual override.

5/2 - Bistable

Port size (G")	Orifice (mm)	Flow factor (l/min)	Pressure drop Δp (bar)			Media temperature		Seat	Valve	Housing	Coil	Power (W)		Coil group	Fig
			Min	Max		Min °C	Max °C					AC	DC		
				AC	DC										
1/4 (1/8)	4	400	2	10	10	-25	+80	NBR	347N11	DIN	488980	2	2,5	1.1	J
		400	2	10	10	-25	+80	NBR	347N31	DIN	481865	8	9	2.1	K
		400	2	10	10	-25	+80	NBR	347N3102*	DIN	481865	8	9	2.1	
		400	2	10	10	-25	+80	NBR	347N3196*	DIN	482740	-	1,6	3.0 / 6.0 / 8.0	
		400	2	-	10	-25	+80	NBR	347N3197	DIN	482740	-	1,6	3.0 / 6.0 / 8.0	
1/4	8	1400	2	10	10	-25	+80	NBR	347N32	DIN	481865	8	9	2.1	L

*Ventil utan handmanöver.

5/3 - Closed center position

Port size (G")	Orifice (mm)	Flow factor (l/min)	Pressure drop Δp (bar)			Media temperature		Seat	Valve	Housing	Coil	Power (W)		Coil group	Fig
			Min	Max		Min °C	Max °C					AC	DC		
				AC	DC										
1/4 (1/8)	4	400	2	10	10	-25	+80	NBR	342N11	DIN	488980	2	2,5	1.1	M
		400	2	-	10	-25	+80	NBR	342N3197	DIN	482740	-	1,6	3.0 / 6.0 / 8.0	N

SOLENOID VALVE

Lucifer 341-347 N

3/2, 5/2 NAMUR

For actuator control

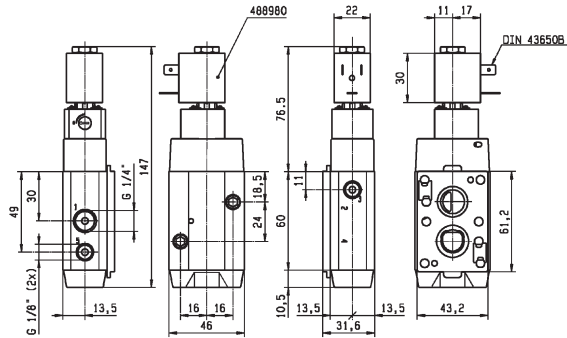


Fig A

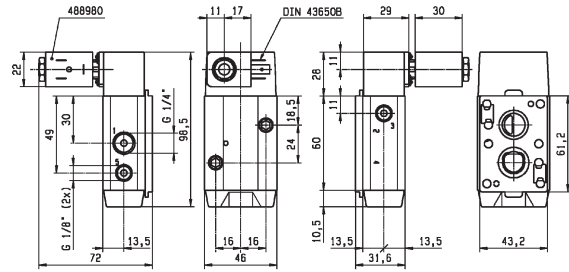


Fig B

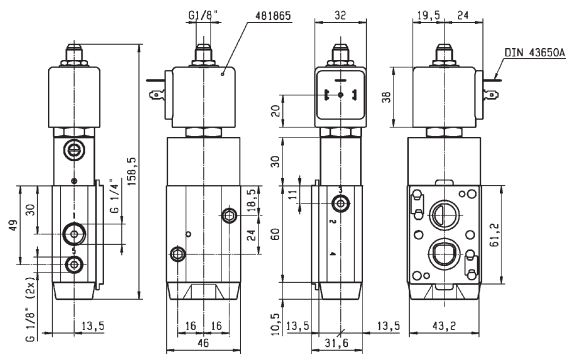


Fig C

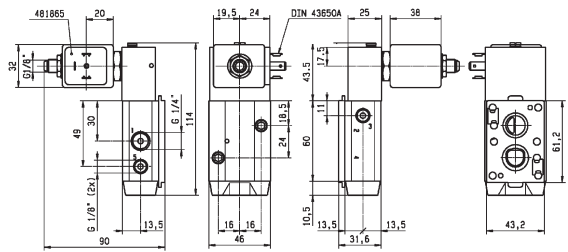


Fig D

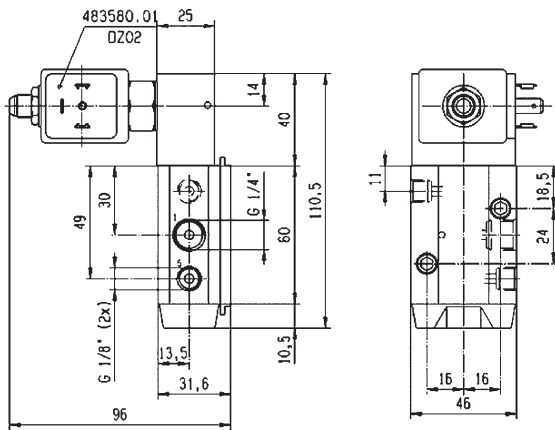


Fig E

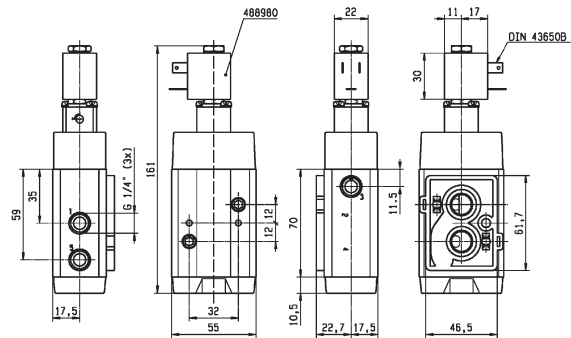


Fig F

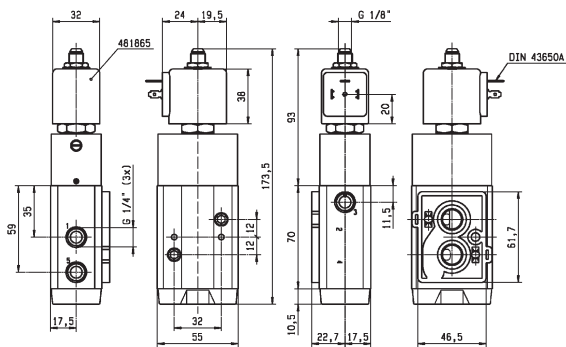


Fig G

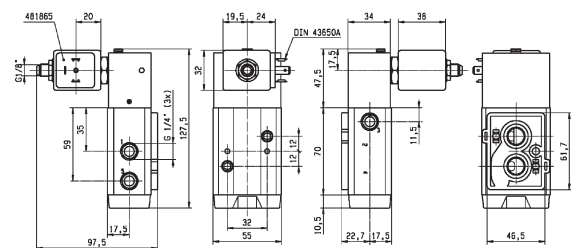


Fig H

