

CHECK-/FOOTVALVE

AL 54-H151 – AL54-H153

Design

AL 54 is a check or foot valve in brass with a spring-loaded cone, which means that it is sealed even at low pressure. The valve is available in two versions, a non-return valve type AL 54-H151 and a foot valve AL 54-H153 (with filter).

Pressure/Temperature

Max. temperature: +110°C
 Opening pressure: Min. 0.02 bar
 Working pressure: Min. 0.05 bar. Max. 30 bar.

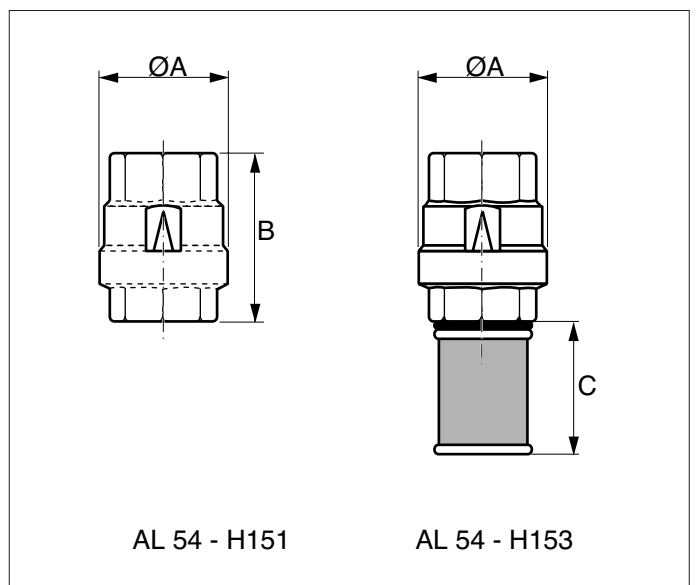
Material specification

| Component | Material |
|------------------------|------------------|
| Body | Brass |
| Cone | Polysulfone |
| Valve cone control | Reinforced nylon |
| Seat | Nitrile |
| Pressure spring | Stainless steel |
| Filter (only type 153) | Stainless steel |



Dimensions

| DN | A | B | C | Weight. kg |
|-----|------|------|----|------------|
| 10 | 27.5 | 46.5 | 40 | 0.1 |
| 15 | 34 | 52.5 | 42 | 0.2 |
| 20 | 41.5 | 59 | 47 | 0.3 |
| 25 | 50 | 67 | 54 | 0.4 |
| 32 | 60.5 | 76 | 59 | 0.6 |
| 40 | 73.5 | 90 | 70 | 1.0 |
| 50 | 89 | 101 | 80 | 1.6 |
| 65 | 116 | 127 | 85 | 3.1 |
| 80 | 142 | 150 | 98 | 5.0 |
| 100 | 172 | 177 | – | 8.6 |



AL 54 - H151

AL 54 - H153

CHECK-/FOOTVALVE

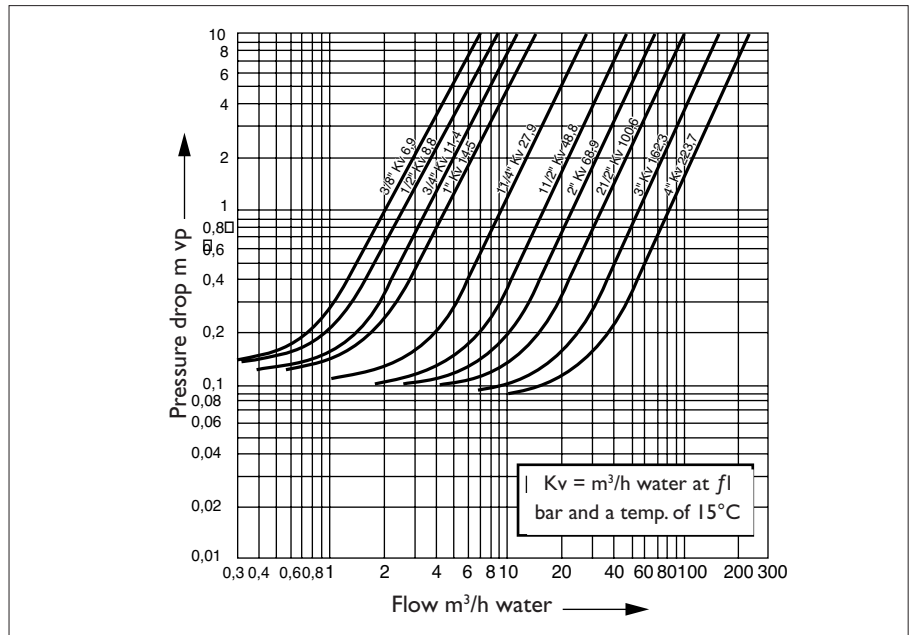
AL 54-HI51 – AL54-HI53

Capacity

Kv value (m³/h)

| DN | Kv |
|-----|-------|
| 10 | 6.9 |
| 15 | 8.8 |
| 20 | 11.4 |
| 25 | 14.5 |
| 32 | 27.9 |
| 40 | 48.8 |
| 50 | 68.9 |
| 65 | 100.6 |
| 80 | 162.3 |
| 100 | 223.7 |

Pressure drop diagram



Installation/Maintenance

AL 54 can be installed in either horizontal or vertical piping.

Ordering example

Type AL 54-HI51 - DN 25
 DN _____