

STRAINER

AL 87-10

Design

- Y-strainer
- Female threads BSP
- PN 40
- Temperature range -40°C - +180°
- Screen specification:
 - Hole diameter 1mm.
 - Distance between center of holes: 2mm

Kv value

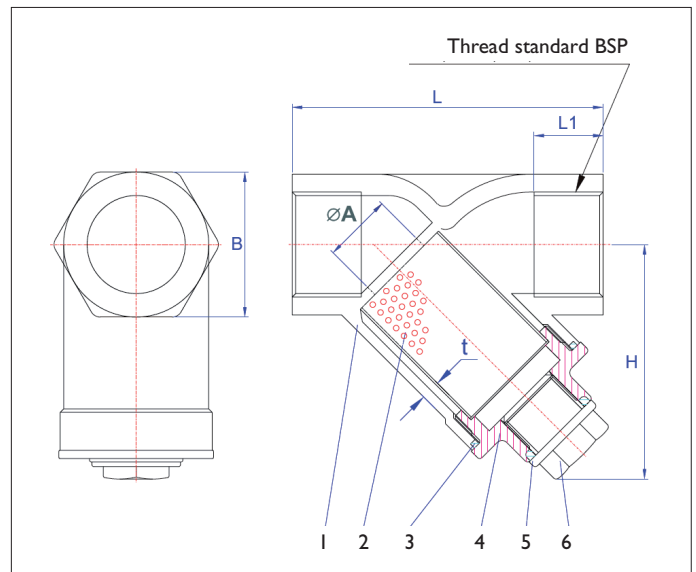
Kv = Waterflow in m³/h at pressure drop 1 bar and temperature 20°C.

DN	Kv
8	1.7
10	3.2
15	5.4
20	11.9
25	23.0
32	36.6
40	54.4
50	98.6



Part / Material specification

Pos	Part	Material	No of items
1	Body	CF8M	1
2	Screen	SUS 316	1
3	Gasket packing	PTFE	1
4	Bonnet	CF8M	1
5	Plug gasket	PTFE	1
6	Blow of plug	CF8M	1



Dimensions

Size	DN	B	A	H	L	L1	t	Weight kg	Art.no
1/4"	8	23	11	46	65	13.5	3.0	0.24	3702150
3/8"	10	23	13	46	65	14.0	3.0	0.23	3702152
1/2"	15	26	15	46	65	15.0	3.0	0.23	3702154
3/4"	20	32	20	55	80	17.0	3.0	0.36	3702156
1"	25	41	25	70	90	19.0	3.5	0.70	3702158
1 1/4"	32	50,5	32	73	105	20.0	3.6	0.90	3702160
1 1/2"	40	57	38	81	120	22.0	4.0	1.20	3702162
2"	50	69	50	94	140	23.5	4.3	1.90	3702164

AXEL LARSSON

Telephone +46 10 455 97 00 • sales@axel-larsson.se • www.axel-larsson.se

STOCKHOLM | GÖTEBORG | MOTALA | KARLSTAD | FALUN | SKELLEFTEÅ

Head Office: Truckvägen 12, P.O. Box 805, SE-194 28 Upplands Väsby (Stockholm), Sweden.